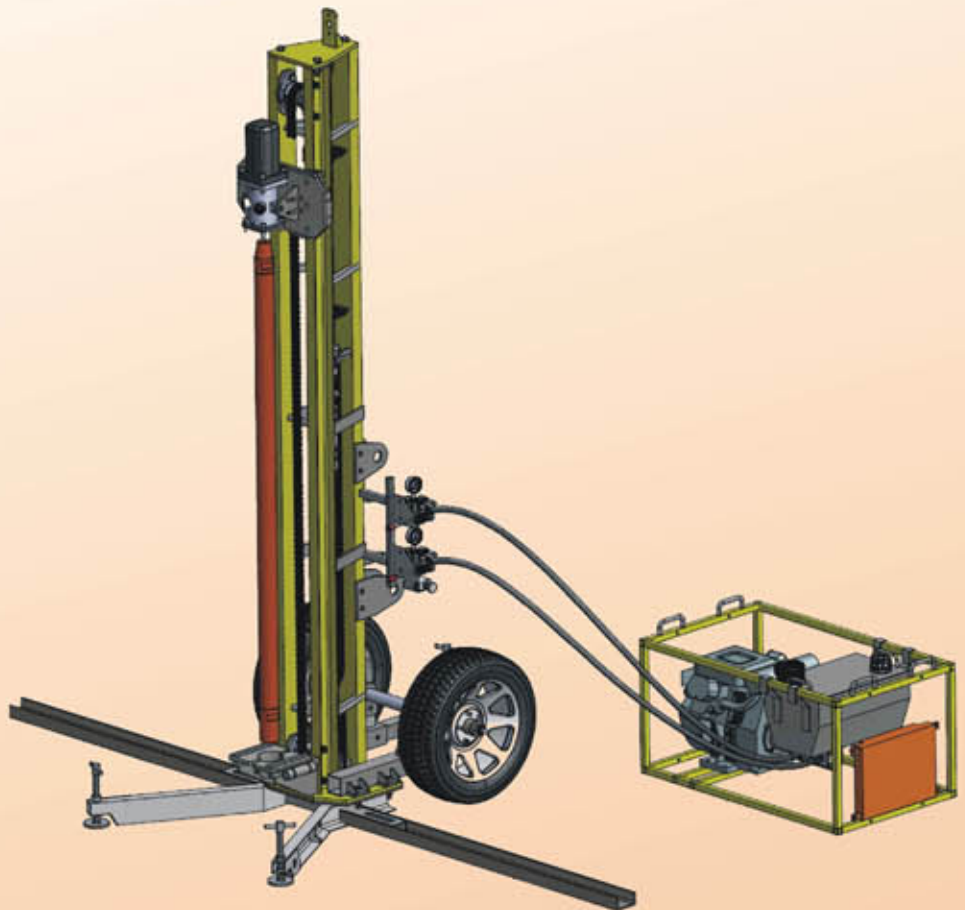


ROCKDRIL



HOLE RANGE



TWD-20 (PORTABLE DRILL)

The TWD-20 (Tower Drill) is a simple, lightweight and portable hydraulic drilling rig with 2 modules, it is designed to have low running and maintenance costs and to be transported by a small pick up truck or ground personnel for drilling in difficult access areas. It can also be adapted to be truck/trailer mounted and can be easily modified for different drilling applications.

The TWD-20 is capable of drilling up to 100 meters depth in optimal conditions depending on the geological formation, compressor capacity, operator skill and weight of the tools being used.

APPLICATIONS

- Seismic
- Water Well
- Reverse Circulation
- Micropiles
- Access Roads
- Anchoring
- Blasting
- Services holes
- Others

ROCKDRIL

TWD-20 (PORTABLE DRILL)

DIMENSIONS & WEIGHT (EST.)

Length	1680mm (Stabilizers out)
Width	1125mm (Stabilizers in)
Height	3300mm
Weight	380kg (Tower) 135kg (Power Pack)

HYDRAULIC SYSTEM

V-Twin 17HP Diesel Engine Electric start	
Double Gear Pump	
Tank Capacity	30L
Cooling System	Cooler w/Electric Fan
Operating Pressure	140 bar

ROTATION SYSTEM

Direct drive hydraulic swivel capable of simultaneous air/water flushing (Gear-less swivel)	
Rotation Speed	40 rpm
Torque	965 Nm
Swivel	Air/Water

FEED

Head Travel	2200mm
Pull-Up Capacity	1400kg

STABILIZERS

4 mechanical stabilizers with pin locks

DRILLING CAPACITY

DTH Hammer	6" (152mm)
Rotary	8" (20mm)
Max. Depth	100m

STANDARD ACCESSORIES

3Lt Air Line lubricator for DTH hammer
Drill rod wrench set
4" Electric submersible pump (on TWD-20HD)

OPTIONAL ADD-ONS/ACCESSORIES

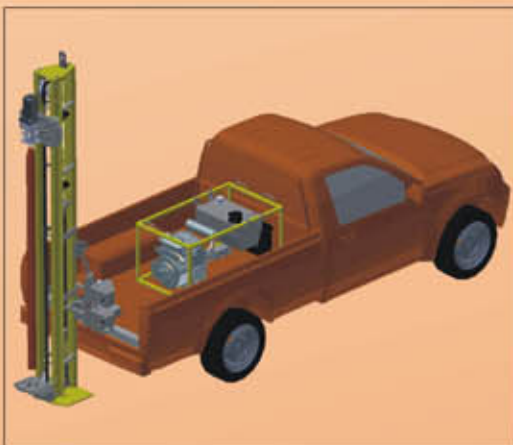
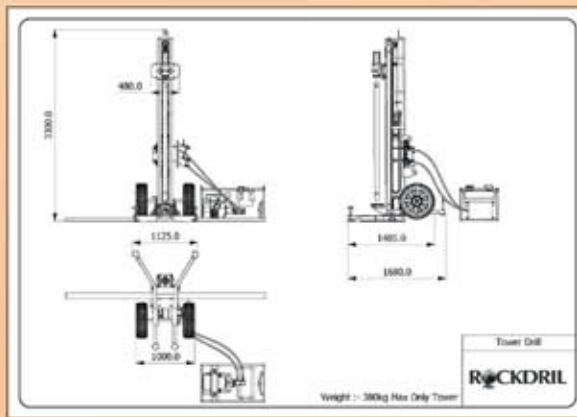
17hp Kohler diesel engine worldwide warranty

35Hp Kohler Gasoline/Diesel Engine power pack for increased rotary torque to 14720Nm

Double module hydraulic power pack each module weighting less than 70kg.

Reverse Circulation drilling

Pick-Up truck mounting conversion chassis with hydraulic stabilization jacks, night time working light and 2ton winch.



EXCLUSIVELY REPRESENTED IN PAKISTAN BY:

SECURA GROUPS

Email: secura@cyber.net.pk

Website: www.secura-group.com